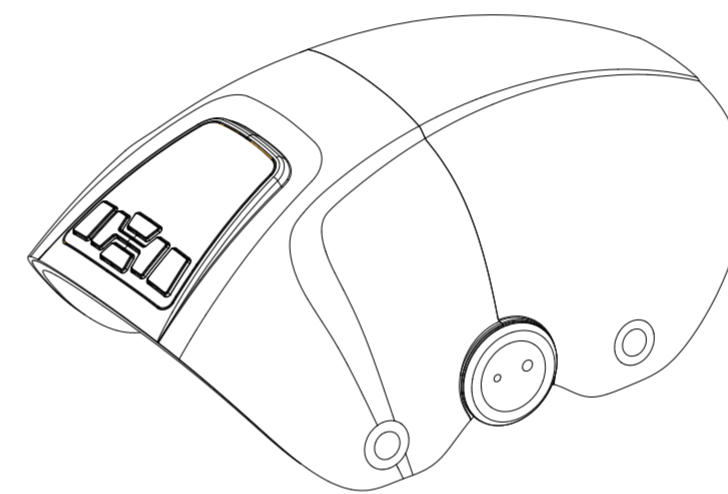


soul smart

3D Air Knee Massager



Instruction Manual

Model No:FR-Y52

Thank you for purchasing this Knee Massager. Please read this instruction manual before use. This product is intended for consumer use only.
SAVE THESE INSTRUCTIONS

Imported & Distributed by:



SHOP TJC
PO Box 443, Feltham, TW13 9DU
Email: contactus@tjc.co.uk
Tel: 0800 260 6666 | Web: www.tjc.co.uk



IDEAL WORLD
PO Box 443, Feltham TW13 9DU
Email: customer@idealworld.tv
Tel: 0800 151 2345 | Web: www.idealworld.tv



MADE IN CHINA

SAFETY PRECAUTIONS

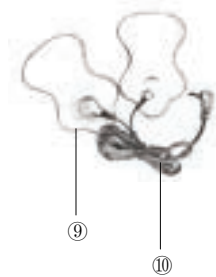
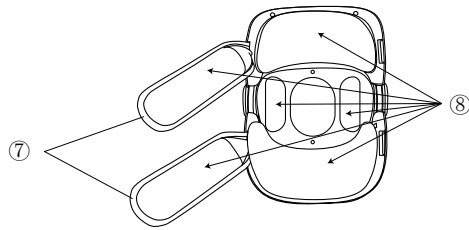
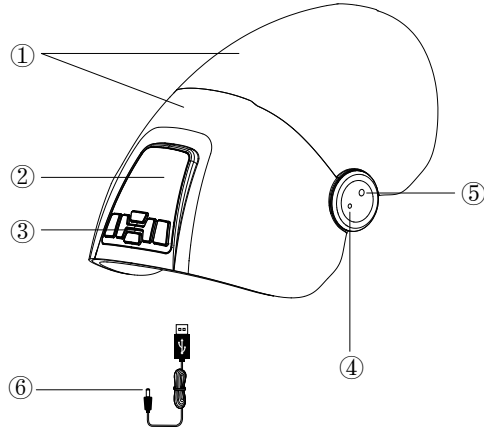
01. People with the following conditions should consult their physician before using the product:
 - Uses a medical electronic device, which is embedded in the body, such as a pacemaker
 - Suffer from heart disease.
 - Suffers from neck, backbone injury or disease.
 - Suffers from bone fragility.
 - Has had surgery.
 - Is pregnant or has recently given birth
 - Suffers from malignant tumors.
 - Suffers from osteoporosis.
 - Suffers from blood circulation problems or thrombosis.
 - Suffers from skin disease or infection.
 - Is undergoing medical treatment
 - Has injuries due to illness or accident.
 - Has a physical disability involving the limbs or spine.
02. Ensure that water does not enter the product or come into contact with its surface.
03. Water contact with electricity is dangerous. Do not leave the product in a humid environment (such as in the bathroom or shower room or next to a swimming pool).
04. Before connecting the product to the power supply, check that the product voltage and supply voltage are the same.
05. If the plug, power cord or product itself is damaged, do not use the product.
06. In order to prevent the risk of electric shock, do not open the product's outer cover.
07. This product is not intended for use by the individuals with disabilities, sensory impairments, or cognitive differences (including children), unless there is supervision or guidance by the people responsible for their safety when they use the product.
08. If the product or the power cord is damaged, do not try to repair the product. This must be handled by technician, or the product guarantee will become void.
09. Children should not use this product. They should be under supervision to ensure that they will not treat this product as a toy.
10. If an unusual sound or noise is being heard from the product, turn off the product and immediately disconnect the power connection. Please contact its authorised dealer immediately.
11. Do not use the product if the cover is damaged or if there is a mechanical or electronic failure. Please contact the authorised dealer.
12. Only use or place the product in accordance with the instructions in this user manual.

SAFETY PRECAUTIONS

13. Do not use this product in high temperature conditions or beside hot objects such as heaters, stoves.
14. Do not apply medical or cosmetic cream on the product or on your body before using or during the use of this product.
15. Do not destroy, bend, stretch, twist or tie the power cord. Damaged power cords can cause fire or electric shock.
16. Recommended usage time for an individual is 15 minutes at a time.
17. Please remove all accessories from your body before use.
18. This product is intended for household use only.
19. Do not use the product while sleeping or under the influence of alcohol, or during a fever.
20. Avoid using the product immediately after eating. Wait for at least an hour before using the product.
21. When massaging refrain from using excessive intensity. Do not use the product on the head, inflamed or bruised parts of the body.
22. Please do not use the product if you are using any one of the following devices:
 - Internal medical products such as a pacemaker.
 - Biological products such as a mechanical heart or lung.
 - Attachable medical products such as electrocardiograph.
23. Please refrain from excessive use of the product on sensitive skin. Do not use the product on an open wound or wounded area unless permitted by a doctor.
24. Please make sure the product is turned off before starting to use it.
25. Complete the treatment with a glass of warm water to help in detoxification.
26. A minority of users with sensitive skin may experience irritation or rashes after therapy. This is a temporary phenomenon that will pass after a few sessions. It will not reappear after the skin has acclimatised to the electro stimulation therapy.
27. Do not use the product when the room temperature is above 104°F or 40 °C.
28. The appliance has a heated surface. Persons insensitive to heat must be careful when using the appliance.

PRODUCT DESCRIPTION

- 1.Main body
2. Display panel
- 3.Control panel
- 4.Electrode jacks
5. DC charging port
6. USB charging line
- 7.Belt
8. Massage air bags
9. Electrodes
- 10.Wire



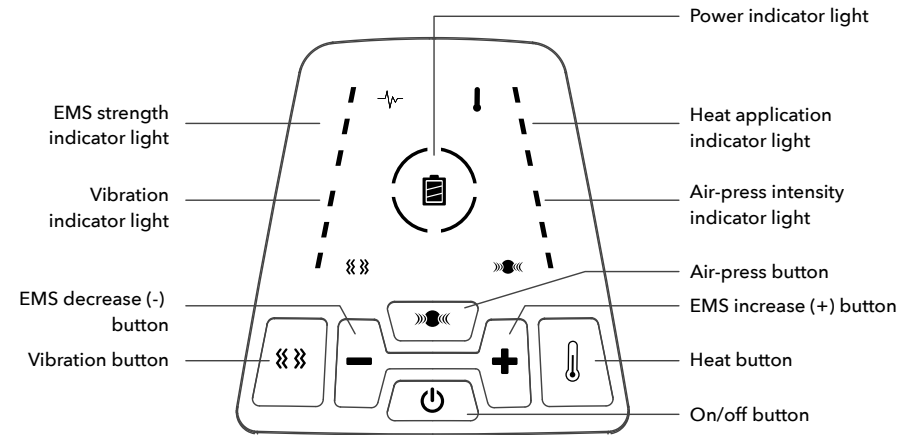
HOW TO OPERATE

1. Check the product battery to ensure that the product battery is sufficient.
2. Attach the product to your knee.
3. Press the on/off (⏻) button to select the ideal massage mode.

Note:

- Automatically timed for 15 minutes, after which it will automatically shut down to avoid overheating.
- When not in use, please turn off the power and store it properly.

CONTROL PANEL



HOW TO OPERATE

- On/off button (⏻):** Long press on/off button for two seconds to start. Air-press massage (weak level) and heat (low level) are turned on by default.
 - Air-press button (⏻):** Short press the air-press button to start 3 levels of intensity cycle from weak, medium to strong respectively. Press the fourth time to stop the air-press function, and the indicator light is off.
 - Heat button (🔥):** Short press the heat button to adjust from 3 levels of heat function: low, medium, high. Press the fourth time to stop the heat function, and the indicator light is off. This function could be used alone.
 - Vibration button (🌀):** Short press the vibration button to adjust from 3 levels of vibration intensity: weak, medium to strong respectively. Press the fourth time to stop the vibration function, and the indicator light is off.
 - EMS intensity button (- / +):** Short press the +/- button to adjust from 3 intensity levels of EMS function: weak, medium, strong respectively. If the weakest or strongest level is reached, 3 beep sounds will be heard when same button is pressed continuously. (This button only functions when electrodes are inserted into the 'Output' hole on the side of the product.)
- *For users who have drier or sensitive skin due to medical conditions such as diabetes, it is advisable to apply body lotion or wipe the body part with a damp cloth to moisturise the skin before use.
- *Before use, please peel off the plastic protectors on electrodes and stick them to the skin surface that needs to be massaged before adjusting the EMS strength. After use, please cover the electrodes with the plastic protectors again and avoid them touching each other.
- Automatic shutdown:** After 15 minutes, the product will automatically shut down.
 - Shutdown manually:** Long press on/off button for 2 seconds to shut down the product.
 - Battery (🔋):** The battery level is shown in the middle of the control panel. Please charge when only one battery level is noticed.

To Charge

- Connect USB cable to the product and the power source.
- During charging, the power indicator light is red. It will change to green after battery is fully charged.
- The product cannot operate while charging. It can only operate again when it is disconnected from the power source.

TROUBLE-SHOOTING

This page summarises the most common problems you could encounter with the product. If you are unable to solve the problem with the information below, please contact its authorised dealer immediately.

Problem	Possible Cause	Suggestion
The product does not work	The product has low battery	Charge the product before use.
	The product has just finished its 15-minute auto timer session and has automatically switched to standby mode.	If you want another session, press the related function button again.
	You may have used the product continuously for 30 minutes or more that the overheat protection has been activated.	Turn off the power and wait for the product to cool down before using.
	An excessive load has been applied on the product.	Reduce the excessive load and start again.
The product is abnormally warm	The product is likely to be overused.	Turn off the power and wait for the product to cool down before using.
Noise can be heard from the product	Noise is made by the mechanical parts of the product.	This is normal and does not mean that the product is faulty.
EMS function seems not working	Poor viscosity of electrodes.	Attach the electrodes to the flat part of your skin. If its viscosity fades away, use purified water to clean it, and let it dry naturally.
Sting feeling during massage	EMS intensity may be too high.	If there is a tingling feeling every time you use the product, please adjust the strength that suits you.

CARE & MAINTENANCE

Cleaning

1. Do not use steel wool, abrasive cleaning agents or corrosive liquids (such as gasoline or acetone or alcohol) to clean the product.
2. The cleaning should be done in the shutdown state.
3. Wipe with a dry cloth to clean the product and the control panel.
4. Do not use a damp cloth or detergent.

Storage

1. Unplug the plug from the power outlet.
 2. Store the product in a cool dry place away from sunlight.
 3. Do not put a heavy weight load on the product.
 4. Electrodes must always be covered with the plastic protectors after use. Do not allow them to touch each other.
- ⚠ If the cover is damaged or there is any mechanical failure, please stop using the product.

AUFBEWAHRUNG UND INSTANDHALTUNG

Model Number	FR-Y52
Rated Voltage	DC5V 2A
Power Consumption	10W
Auto Timer	15 minutes
Battery	2600mAh