

# homesmart<sup>®</sup>

## Steam vacuum cleaner



### **INSTRUCTION MANUAL**

**MODEL: VCS-160A**

**220-240V~50/60Hz**

**POWER: 600W VACUUM +1000W STEAM**

**Wet and dry**

Thank you for your purchase. Please read this manual before Operating this product .

Keep the manual properly for reference later.

## Steam mop & vacuum cleaner all in one

# IMPORTANT SAFETY INSTRUCTIONS

When using an electrical appliance, basic precautions should always be followed, including the following:

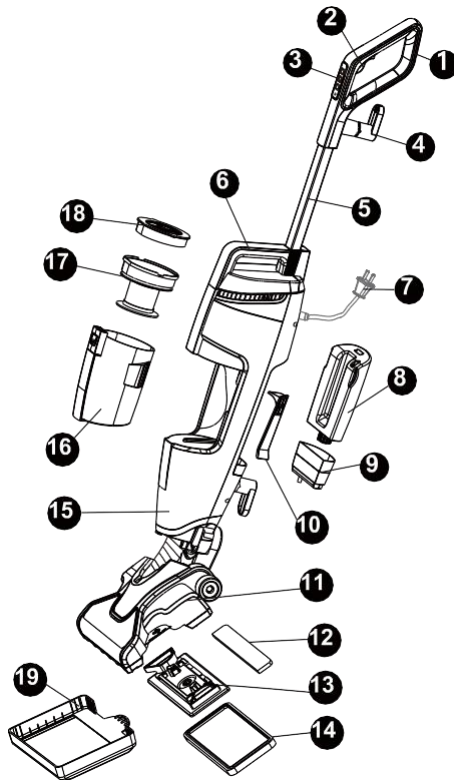
**READ ALL INSTRUCTIONS  
BEFORE USING THIS APPLIANCE.  
ONLY INTENDED FOR HOUSEHOLD USE.**

1. Vacuum cleaner is an electric appliance, Use only as described in this manual. Use only manufacturer's recommended attachments., the manual must be properly preserved for future reference.
2. **WARNING** – To reduce the risk of fire, electric shock, or injury:
  - a) Do not leave appliance when plugged in. Unplug from outlet when not in use and before servicing.
  - b) **WARNING** – To reduce the risk of electric shock – Do not use outdoors or on wet surfaces.
  - c) Do not allow to be used as a toy. Close attention is necessary when used by or near children.
  - d) Use only as described in this manual. Use only manufacturer's recommended attachments.
  - e) Do not use with damaged cord or plug. If appliance is not working as it should, has been dropped, damaged, left outdoors, or dropped into water, return it to a service center.
  - f) Do not pull or carry by cord, use cord as a handle, close a door on cord, or pull cord around sharp edges or corners. Do not run appliance over cord. Keep cord away from heated surfaces.
  - g) Do not unplug by pulling on cord. To unplug, grasp the plug, not the cord.
  - h) Do not handle plug or appliance with wet hands.
  - i) Do not put any object into openings. Do not use with any opening blocked; keep free of dust, lint, hair, and anything that may reduce air flow.
  - j) Keep hair, loose clothing, fingers, and all parts of body away from openings and moving parts.
  - k) Turn off all controls before unplugging.
  - l) Use extra care when cleaning on stairs.
  - m) Do not use to pick up flammable or combustible liquids, such as gasoline, or use in areas where they may be present.
3. Check and confirm that the vacuum cleaner is using a voltage that is consistent with the power supply voltage.
4. Do not inhale the following objects, or may damage the vacuum cleaner or cause a fire, resulting in personal injury and other accidents.
  - A. Heating objects, such as carbon fire, etc.;
  - B. Sharp object, such as glass, etc.;
  - C. Harmful objects or water and liquids (solvents, corrosive agents, etc.)

- D. Flammable and explosive substances, such as gasoline or alcohol products.
5. To clean, repair or stop use of vacuum cleaner, the power supply must be cut off. When cutting off the power supply, pull the plastic part of the plug instead of pulling the power line.
  6. Avoid immersing the vacuum cleaner in water & placing the vacuum near heating equipment.
  7. Refrain children from playing with the vacuum cleaner, to avoid any accidents.
  8. Please do not use the vacuum cleaner in the following situations:
    - A. Vacuum appears damaged or cannot run smoothly.
    - B. Power cord breakage.In the cases above, do not start the vacuum. please hand the product over to our customer service center to repair the product.
  9. Avoid blocking the suction mouth to avoid motor damage and heating deformation.
  10. This product's power line and motor is using Y type connection, Do not use with damaged cord or plug. If appliance is not working as it should, has been dropped, damaged, left outdoors, or dropped into water, return it to a service center.
  11. Connect to a properly grounded outlet only. See Grounding Instructions.
  12. Do not pick up anything that is burning or smoking, such as cigarettes, matches, or hot ashes.
  13. Do not use without dust bag and/or filters in place.
  14. Do not fill above the filled level mark.
  15. Do not open the water fill cap when using the steam-cleaning attachment.
  16. Only use water to refill the reservoir. Do not use any type of chemicals or additives.
  17. Do not apply steam directly to any person or animal.

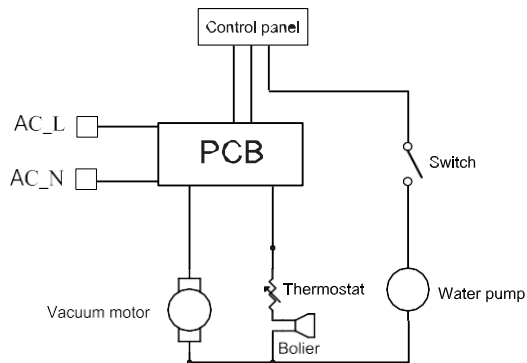
# VACUUM CLEANER

## Structure



1. Handgrip
2. Steam on/off Switch
3. Electronic touch control
4. Power cord hook
5. Metal handle
6. Mainframe handle
7. Power cord
8. Water tank
9. Filter
10. Air hole cover
11. Brush
12. Cleaning cloth
13. Microfiber layer
14. Microfiber
15. Main body
16. Dust cup
17. Cyclone rack
18. HEPA frame
19. Carpet glider

## Circuit diagram



## Product parameter:

600W vacuum power & 1000W heating power

Volt: 220-240V~50/60Hz

Rated power:1600W

Steam temperature:106°C

Steam flow:17 to 22 g/min

Vacuum:  $\geq 15$ kpa

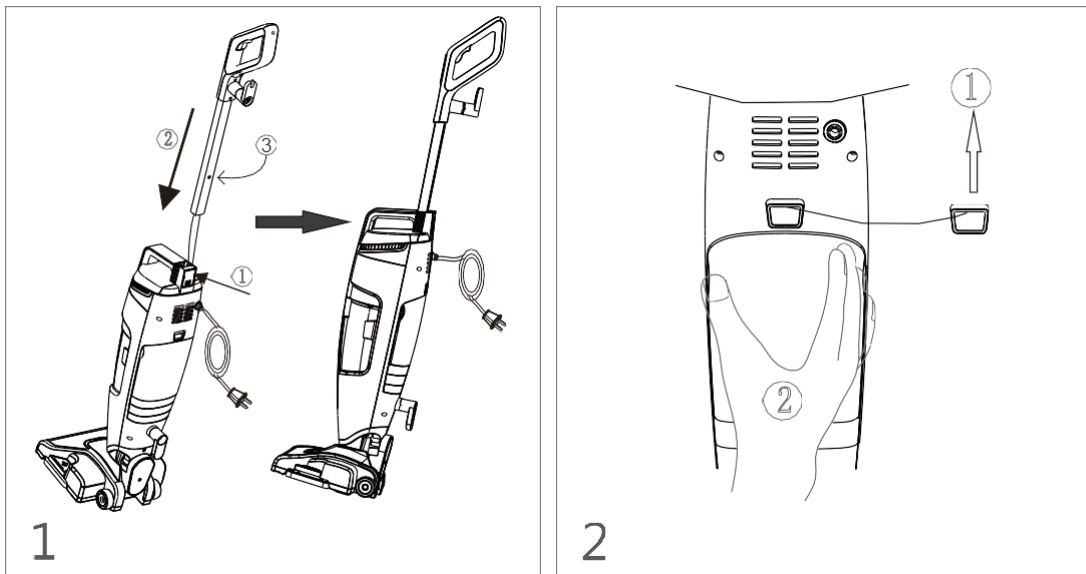
Dust cup: 1.2L

Water tank volume: 520ml

Noise:  $\leq 80$ dB

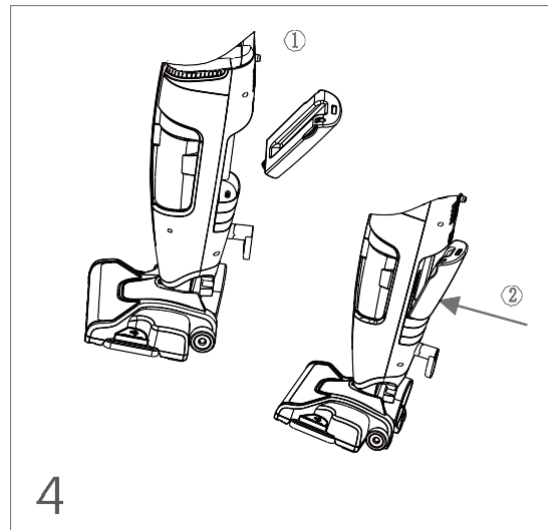
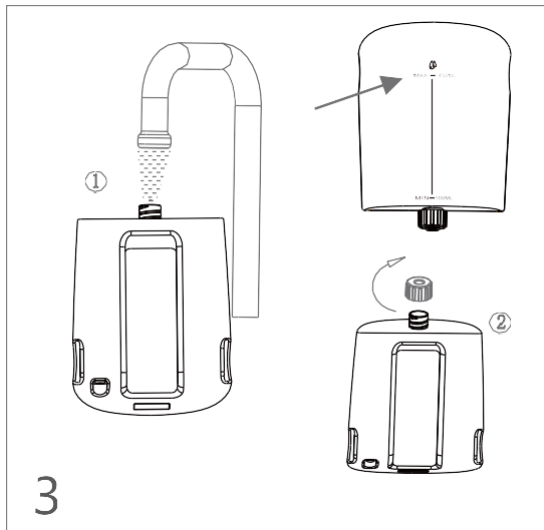
## VACUUM CLEANER

### Product use instructions



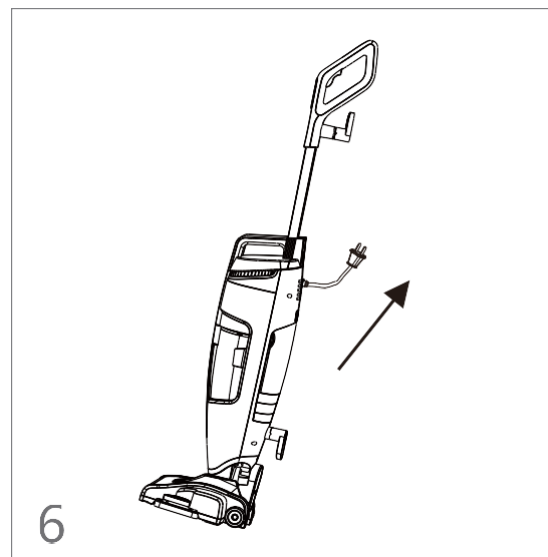
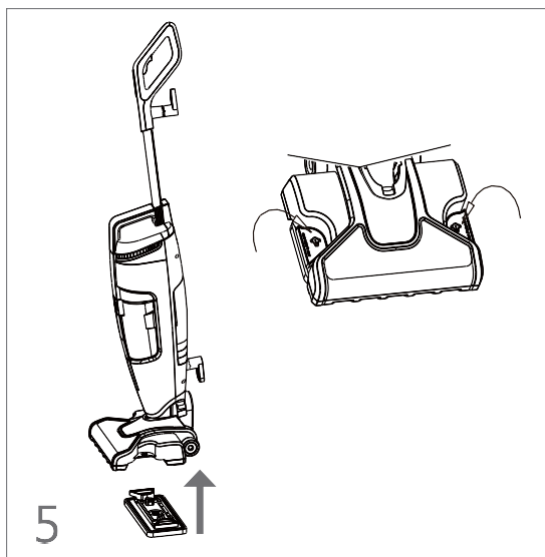
1. Step 1: Pressing the handle release button; Step 2: Insert the handle component into the machine, till you hear a “Click”.

2. Push up the water tank release button, at the same time holding the upper part of the water tank to remove easily.



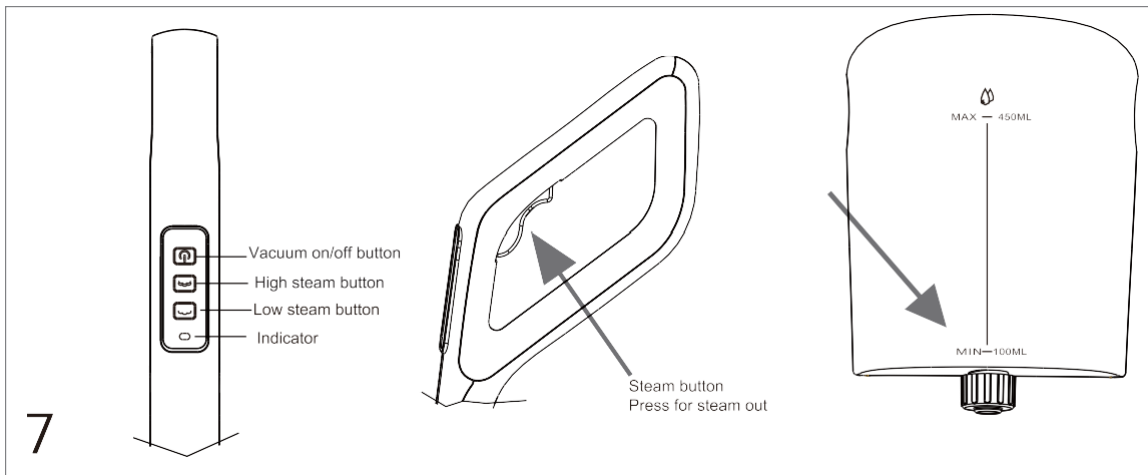
3. Open the tank cover, filling with water not over than the max level, then put the cover back and tighten.

4. Insert the water tank aligning with the water inlet; push the water tank to the host slowly till it “clicks” in place.



5. Fasten the microfiber layer on the left and right buckle of the brush, press the layer till you hear a "click" sound.

6. Connect the plug to the power socket, and make sure the connection is secure.

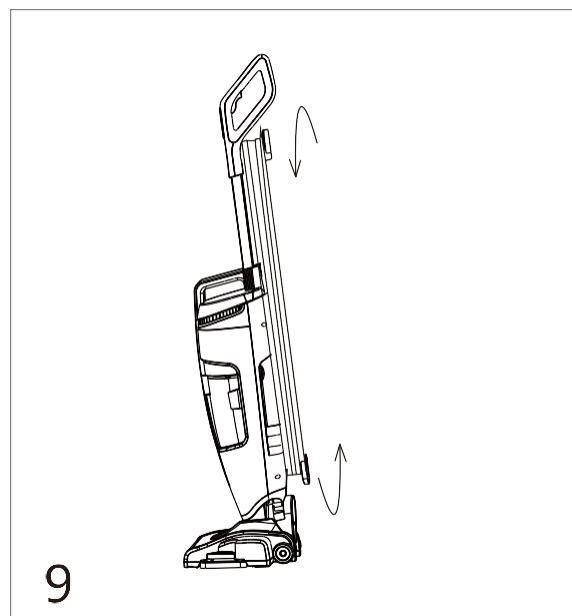
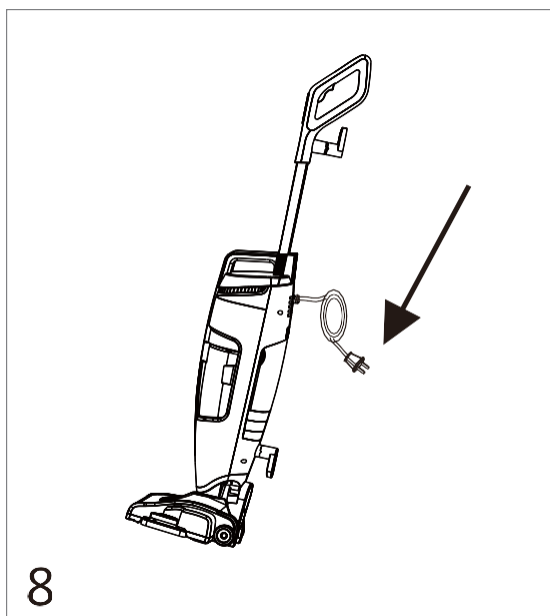


## 7. Function description:

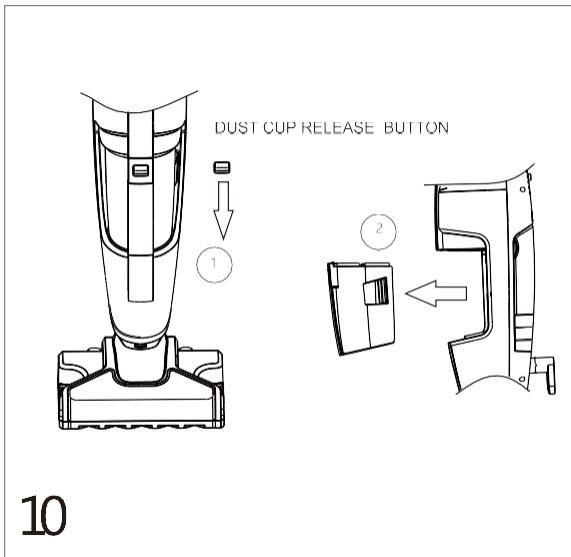
1. Press the “vacuum ON/OFF switch” to use the vacuum function, press again to turn off it.
2. Select the steam volume according to the need (high or low), for first time use, the indicator light will flash for 17s than keep lighting, indicating that the steam function is ready, at this time, the steam function can be used by holding the steam button under the handle.
3. Water appearing on the floor when using the steam-cleaning function is part of the normal operation of the appliance.

**Noted:**

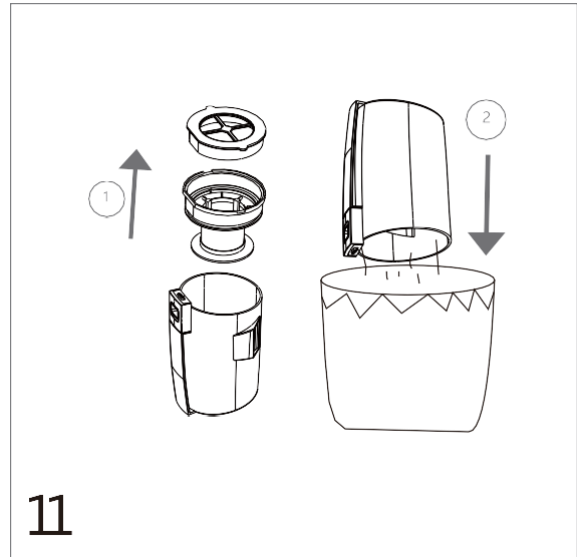
When the water level is below the minimum water level or without water, please stop using steam function to prevent damage to the product.



8. Stop the vacuum cleaner and un-plug from the socket.
9. Rewind the power cord to the power cord hook and store it upright.



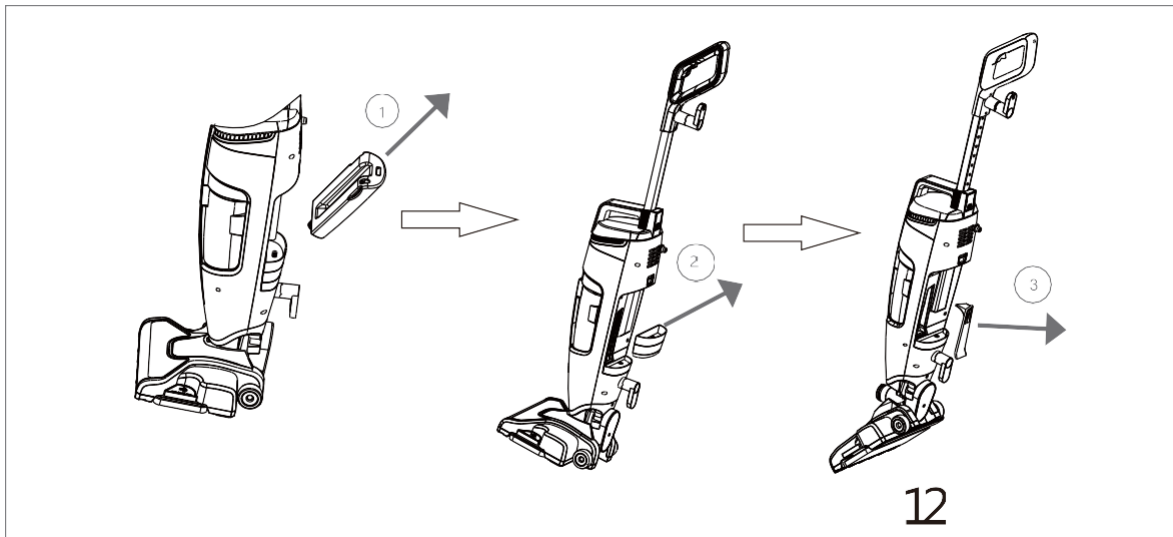
10



11

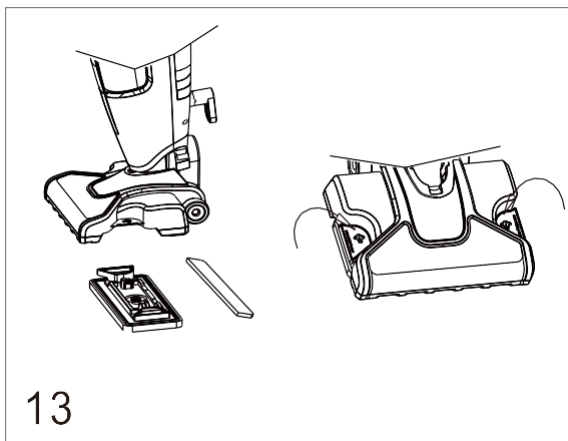
10. Push down the dust cup switch to release the dust cup.

11. Open the dust cup cover to empty the dust.

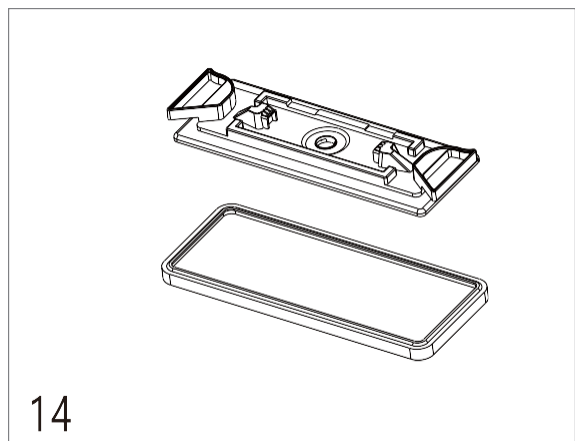


12

12. Step 1: Take the water tank out; Step 2: Take the water filter box out; Step 3: Open the air duct cover to ventilate the air duct if blocked.



13



14

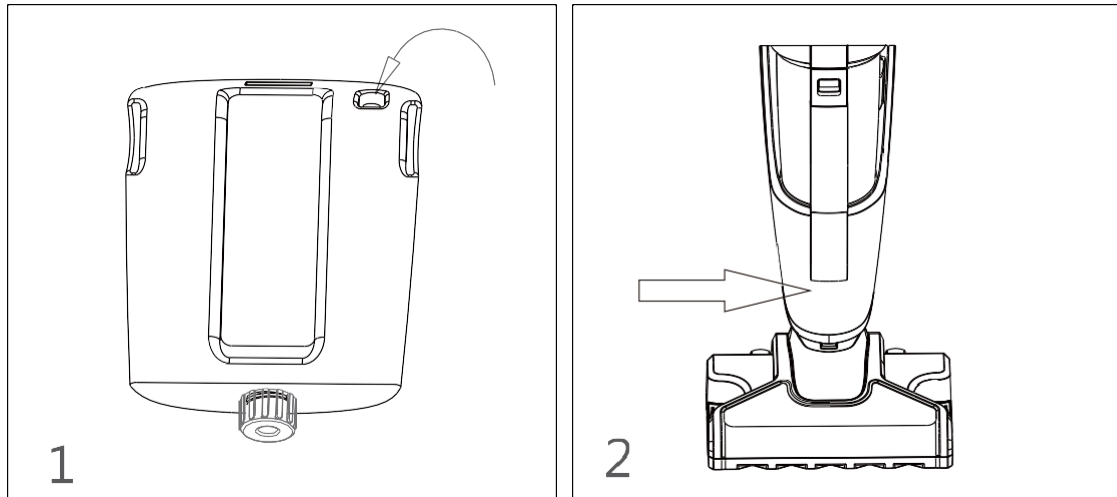
13. Press the left or right sides of the brush to remove the microfiber layer. The cleaning cloth can



be directly removed from the bottom of the brush.

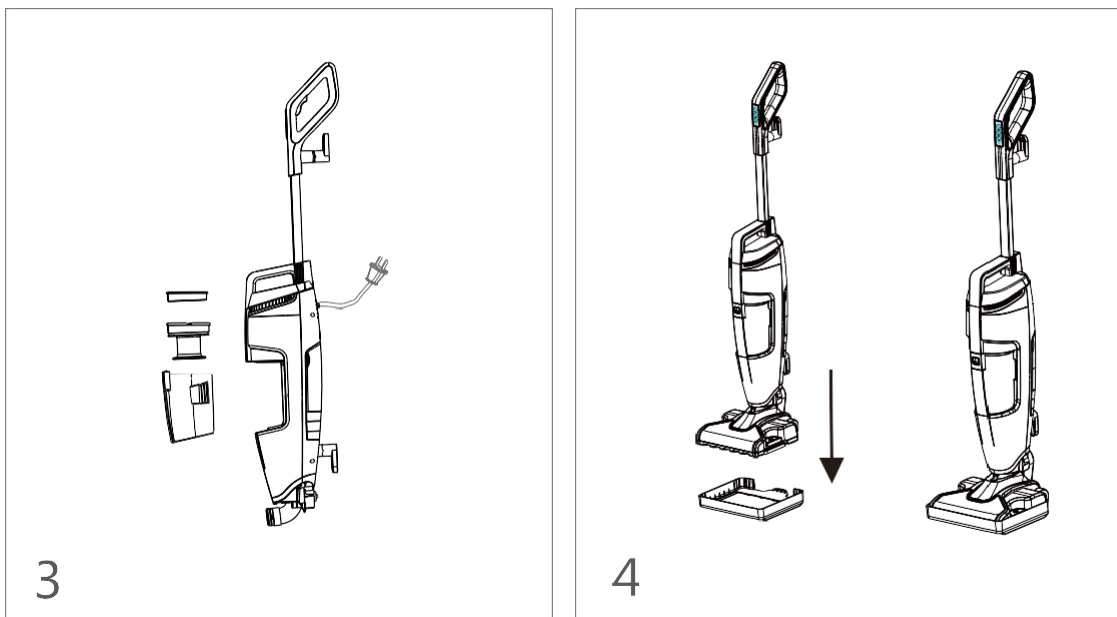
14. Remove the microfiber from the layer.

## Precautions:



1. Ensure the valve seal is always in place as shown in figure 1.

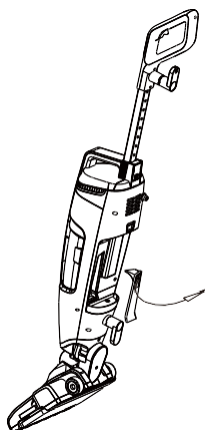
2. Warning: Do not come in touch with the surface shown in figure 2 to avoid scalding at high temperature.



3. Before using, ensure the dust cup is installed in place, and the HEPA rack and the cyclone frame are placed in the dust cup, and the parts are connected firmly.

4. When cleaning the carpet, install the carpet glider to cover the brush can make cleaning easier.

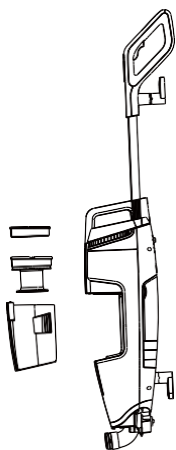
## Cleaning maintenance:



1. When there is accumulation in the duct, it should be cleaned immediately. After cleaning, the duct should be dried before use.
2. The machine should be operated with the duct cover installed.

### **Air duct cleaning:**

After removing the water tank and the filter from the main machine, take out the air duct cover to unclog and clean the air inlet.

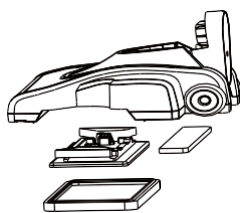


### **Filter cleaning:**

Press the dust cup release button, remove the dust cup assembly from the main unit, remove the HEPA holder and the cyclone frame, wash with water and dry naturally.

#### **Precautions:**

1. The HEPA filter should be cleaned at least once a month. When there is obvious accumulation on the filter, it should be cleaned immediately. Dry the filter before using.
2. The machine should be operated with the filter installed to ensure that the filter is not damaged and installed in place.



### **Replacing and cleaning microfiber and cleaning cloth:**

Press the layer from the brush, remove the microfiber from the layer, wash it with water and dry it naturally. Remove the cloth from the floor brush and wash it with water and dry it naturally.

#### **Attention:**

1. Mop worn or broken, should be promptly replaced.
2. Should be used in the installation of a steam mop state, prevent steam scald.

## WARNING

1. Steam must not be directed towards equipment containing electrical components, such as the interior of ovens.
2. The appliance has to be unplugged after use and before carrying out user maintenance on the appliance.
3. Do not use in swimming pools.
4. This appliance can only be used by children aged from 8 years and above and persons with reduced physical, sensory or mental capabilities or lack of experience and knowledge IF they

have been given supervision or instruction concerning use of the appliance in a safe way and understating the hazards involved. Children shall not play with the appliance. Cleaning and user maintenance shall not be made by children without supervision.

5. The appliance shall not be left unattended while it is connected to the supply mains.
6. The appliance is not to be used if it has been dropped. If there are visible signs of damage or if it is leaking.
7. Keep the appliance out of reach of children when it is energized or cooling down.



The WEEE directive mandates the recycling of discarded electrical and electronic equipment. Although the WEEE directive does not apply to certain products. We support its application as part of our environmental protection policy, and we will encourage you to consider it. The barred waste container symbol affixed to our products means that they should not be disposed of with inert waste or in landfill.

Please contact your local dealer or your national distributor for information on disposal of the used product.

Imported and distributed by:

IDEAL WORLD

PO Box 443, Feltham TW13 9DU

Email: [customercare@idealworld.tv](mailto:customercare@idealworld.tv)

Tel: 0800 151 2345